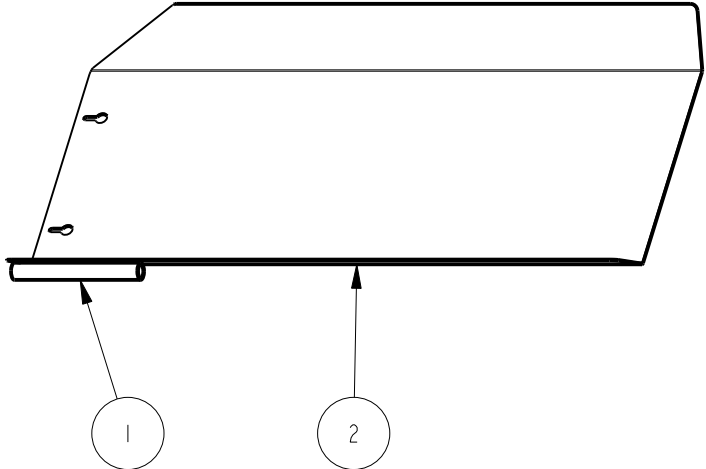
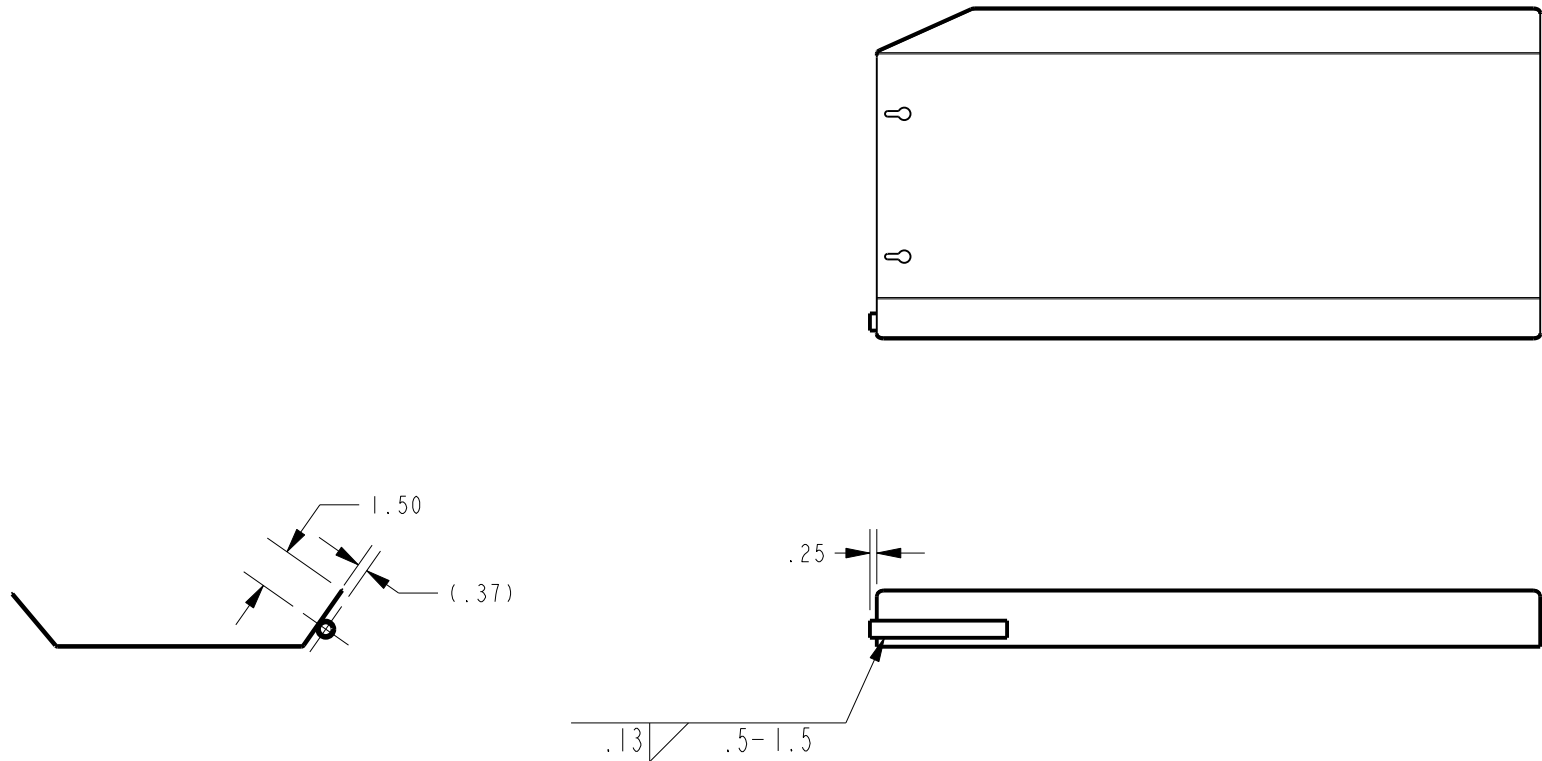


BILL OF MATERIAL			
ITEM	PART NO.	REQ'D	DESCRIPTION
1	3338655	1	TUBE - DUMP DOOR
2	3338656	1	WD---DUMP DOOR



CONFIDENTIAL

THIS DRAWING AND ALL INFORMATION CONTAINED HEREIN ARE THE EXCLUSIVE PROPERTY OF MINUTEMAN INTERNATIONAL, INC. THIS DRAWING IS NOT TO BE COPIED OR OTHERWISE REPRODUCED WITHOUT EXPRESSED WRITTEN PERMISSION OF MINUTEMAN INTERNATIONAL, INC. IN ADDITION, THIS DRAWING MUST BE RETURNED UPON REQUEST. FURTHER, ALL INFORMATION CONTAINED HEREIN MUST BE MAINTAINED CONFIDENTIAL.

TITLE <b>TRAY- DUMP DOOR EXTENDER</b>		SCALE NTS
MATERIAL SEE BOM		FINISH FIN.00.PC.TDG
TOLERANCES (UNLESS OTHERWISE SPECIFIED)	PROJECTION ANGLE	REMOVE BURRS AND BREAK SHARP EDGES .005/.020
.X ± .1	ANGULAR	DRAWN BY CRC
.XX ± .03	X: ± 1°	DATE 10/1/13
.XXX ± .010	.X ± .5°	CHECKED BY
		DATE
<b>Minuteman®</b> <b>PowerBoss®</b>		<b>P.N. 3338654</b> SHEET 1 OF 1
175 ANDERSON STREET ABERDEEN, NC 28315		REV *

REV	ECN	DATE	CHANGE	BY	CHK BY
.	12316	10/1/13	RELEASED FOR PRODUCTION	CRC	